

APPLICATIONS

Poulistop 2 is designed for temporary lifting installations on construction sites. It is designed for manual lifting up to 50 kg WLL (load + rope), and is to be used with a braided nylon rope (Ø 18 to 20mm) for lifting heights until 30 meters.

Poulistop 2 is equipped with an original rope blocking system using a sliding plastic brake, lockable and unlockable by the remote user by acting on the rope. It is then possible for the user to maintain the load in suspension without any effort.

This pulley is perfect for construction sites:

- All the components are corrosion proof
- Easy maintenance (can be cleaned with water, no greasing necessary)
- Light
- The nylon rope is rotproof and not very sensible to moisture
- Can be fixed on a scaffolds
- The **Poulistop 2** can be delivered with its rope (50 m) and is ready to use

Replacement kits for rope and plastic brake are available.

DESCRIPTION

To prevent corrosion, **Poulistop 2** is built with a zinc coated steel structure and a polymer sheave and brake. The pulley weighs only 4 kg (without the rope) allowing easy manipulations. The braided nylon rope has a diameter of 18-20 mm.

Poulistop 2 exists with a hook with safety latch or with a flanged ring which can be attached directly onto a scaffold tube.

The rope's blocking is ensured by a striated brake which slides along a vertical axis and acts by wedging on the rope against a metal axis.

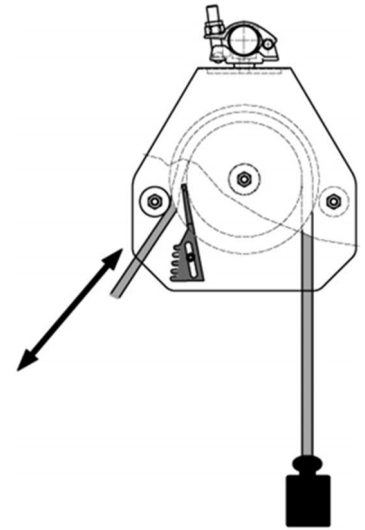
The load applied to the rope tends to make go up the slack side of the rope.

When the slack strand of the rope is vertical, it carries with it the braking cam, which then exerts a trapping force on the rope, which locks in position.

So the resisting force on the rope is directly proportional to the load.

In order to free the rope, the operator has to apply to the slack side of the rope an angle of 15° approximately. Then the brake will be released.

Poulistop 2 is not openable; the rope is installed by engaging one end between the flanges and then sliding it. The height of the flanges is important and allows an easy installation of the rope and the passing of the splices.



TECHNICAL CHARACTERISTICS

- Ultimate load is 4 times the working load limit (WLL).
- Weight : 4 kg
- Maximum acceptable load : 50 kg (including weight of the rope of about 0,3kg/m)
- Suitable for ropes between 18 and 20mm
- Maximum lifting height : 30 meters
- Complies with the Machinery Directive CE 2006/42

DIMENSIONAL CHARACTERISTICS

WLL on leg is the maximum weight that can be lifted.

Pulleys

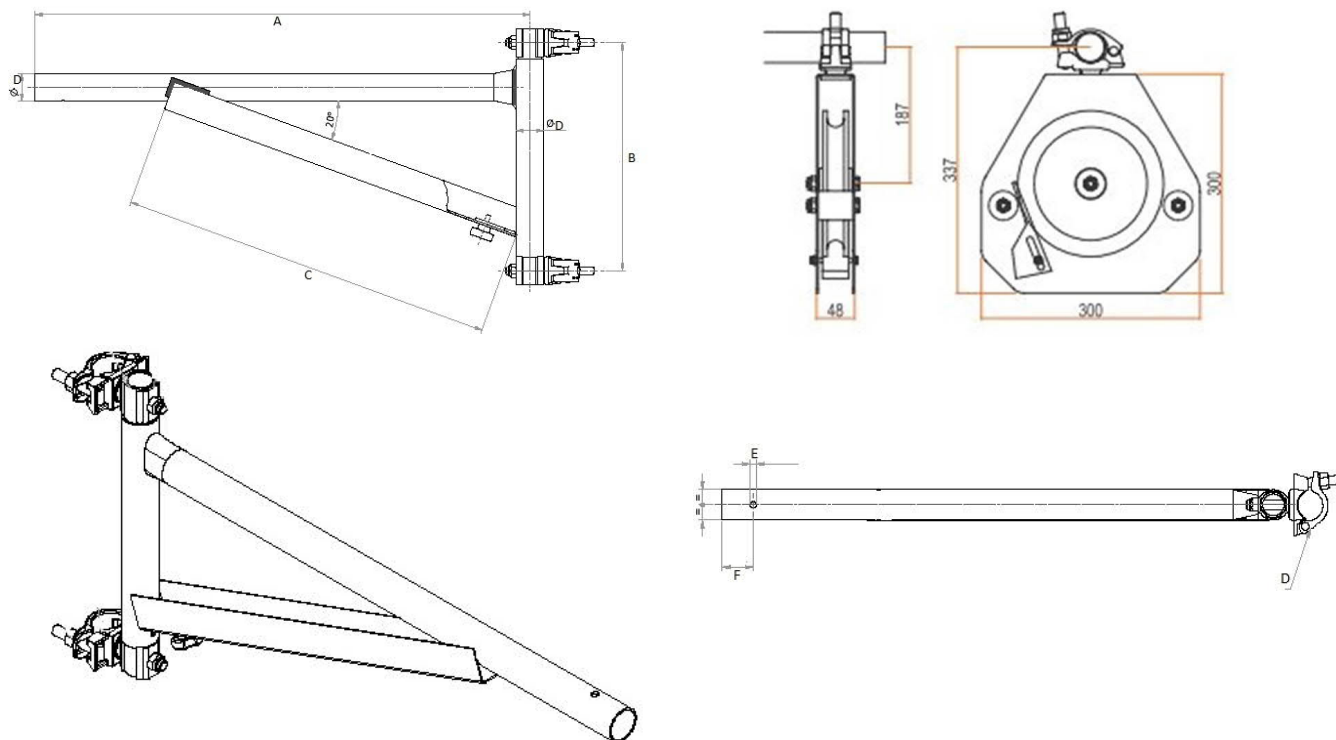
| Reference | Group code | WLL* on leg (kg) | Ø rope min-max | Ø Bottom of groove | Ø ext. sheave | Height | Length | Width | Bearings | Weight (kg) |
|----------------|------------|------------------|----------------|--------------------|---------------|--------|--------|-------|----------|-------------|
| D050B (hook) | 192319 | 50 | 18-20 | 150 | 195 | 445 | 300 | 53 | 6000-2RS | 4 |
| D051B (collar) | 192329 | 50 | 18-20 | 150 | 195 | 364 | 300 | 53 | 6000-2RS | 4 |

* WLL : Work Load Limit - Dimensions in mm

Gallows

| Reference | Group code | WLL (kg) | A | B | C | Ø D | Ø E | F | Weight (kg) |
|------------------|------------|----------|-----|-----|-----|-----|------|------|-------------|
| DP050B (potence) | 192359 | 50 | 874 | 402 | 660 | 48 | 10.5 | 49.5 | 8.4 |

* WLL : Work Load Limit - Dimensions in mm



PRIORITY INSTRUCTIONS

- **NEVER USE FOR PERSONNEL LIFTING**
- The operator is not authorized to release the rope or leave equipment out of control when a load is hanged up on a pulley.
- Strictly forbidden to either be under or to walk under the load.
- Always use suitable rope (size, length and capacity)
- Always suspend the load on the indicated side (see marking on pulley)
- The pulley should be regularly inspected (priority checking : parts correctly assembled, no excessive movement, no excessive wearing or corrosion, no deformation, free sheave rotation, good function of the rope braking system)
- Never use a pulley with a hook as head fitting without ensuring that the safety latch is correctly operated and free from deformation.
- For lifting operations, the user must refer to the safety rules and regulations applicable to this use
- Never install **Poulistop 2** as a return pulley
- **Poulistop 2** has a rope locking cam, which must always be free to move and whose grooves must not be clogged. This part must therefore be regularly cleaned, as dried sludge or the presence of ice may prevent it from working.
- It is strongly not recommended to use **Poulistop 2** at negative temperatures.
- The effectiveness of blocking is guaranteed by the contact between the rope and the brake. Consequently, these two elements must be the subject of a routine inspection, and be replaced if necessary.
- When installing a new rope, replace the brake.
- The blocking of the load enables the operator to stop the movement of rise or descent by ensuring the resumption of the load. **This is only for assisting the operator, it is not allowed to leave the load in suspension without monitoring.**
- The rope's blocking must always be engaged before releasing the slack side of the rope: if not, during a operation (voluntary or not), the brake will function (provided that the slack side can be repositioned vertically) but the stopping distance of the load can strongly vary according to the conditions of use, and in addition an accelerated wear of the components of blocking (cam, cord) is to regret.
- **Always ensure that the mechanical resistance of anchorage point of a **Poulistop 2** is at least 108 kg.**

